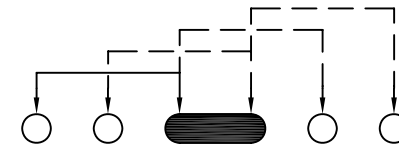
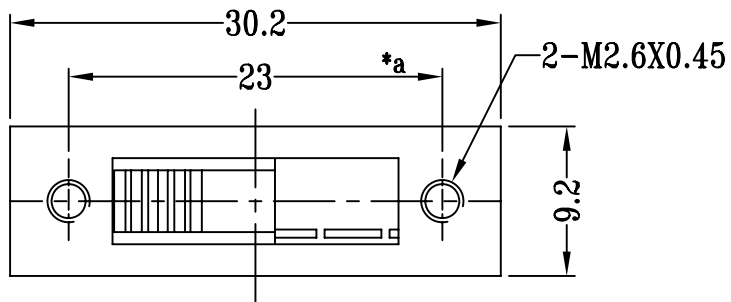
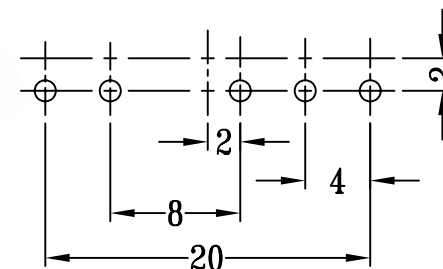
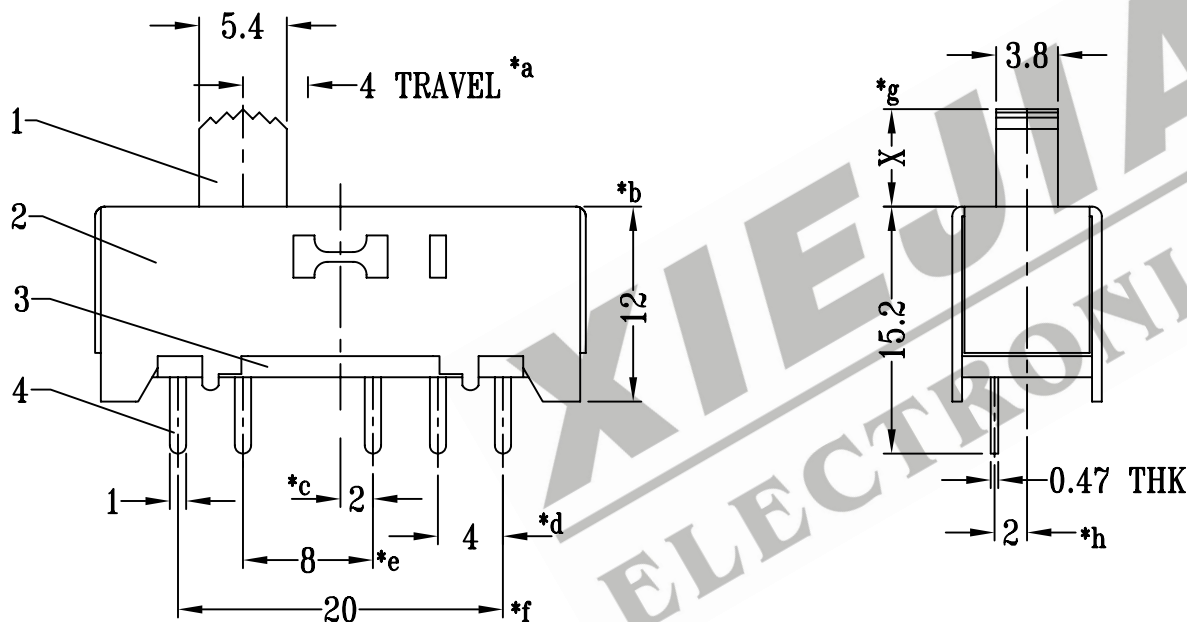


CAD FILE:



SCHEMATIC (SHORTING)



P.C.B LAYOUT

注:带"*"表示关键尺寸(8个)

NO.	PART NAME	MATERIAL	QTY	FINISHING	TOLERANCE UNLESS SPECIFIED	SHENZHEN XIEJIA ELECTRONICS CO.,LTD.				
8					WITHIN: 1.5±0.1mm OVER : 1.5±0.2mm	ISSUE	DATE	DESCRIPTIONS		APPD
7	CONTACT CLIP	PBS STRIP	1	Ag PLATED						
6	SPRING	STEEL WIRE	1	TEMPER	TITLE: VERTICAL SLIDE SWITCH MODEL: SS-14H03 ALL MATERIALS MUST BE COMPLIANT TO ROHS	UNIT : MM		DRWG NO.: XJ-DR-SS14H03-00		
5	STEEL BALL	STEEL	2	NATURAL		SCALE: 2:1	DWN	ZHOUYU	2005-4-12	
4	TERMINAL	BRASS STRIP	5	Ag PLATED OVER Ni PLATED		CHK'D	FANGYING	2005-4-12		
3	BASE	PHENOLIC RESIN	1	BLACK		APPD	KANGXINAN	2005-4-12		
2	FRAME	STEEL STRIP	1	Ni PLATED						
1	KNOB	POM	1	BLACK						